



E-Klima A/Z 150

Product number: 4044053

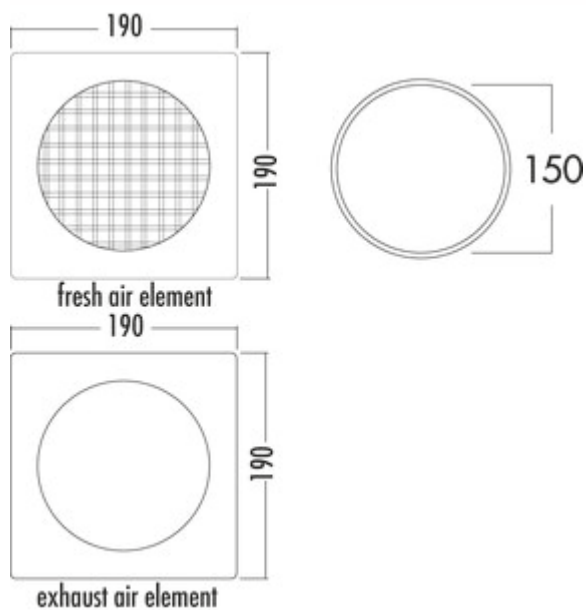
Configuration: waste and fresh air wall conduct

Configuration options

4044053 | waste and fresh air wall conduct

4044055 | fresh air element

4044056 | waste air element



- ✓ Wall sleeve
- ✓ installation in the wall

Two-piece wall conduct with separate exhaust and fresh air elements. The two stainless steel design external blinds in modern lamella look with internal back pressure shutters solve even spatially difficult installation situations. An internal stainless steel cover on the waste air element can be pushed over the plastic pipe and completely covers the wall penetration. On the supply side there is a grid outlet with a connector on the round pipe. Both elements can be used next to each other as a set, or as single elements. Optimum flow values are achieved through volume-flow controlled waste and fresh air openings.

The fresh air flap only opens with negative pressure.

When installed with an open-flue chimney, please coordinate this with the chimney sweep responsible.

- stainless steel external blind 190 x 190 mm per blind
- round waste air connection \varnothing 150 mm
- installation depth 490–690 mm
- wall penetration \varnothing ca. 155 mm per element



[more infos...](#)

Technical data

Article type	Wall sleeve	Diameter wall opening	155 mm
Height	190 mm	Connection diameter	150 mm
Width	190 mm	Installation depth	490–690 mm
Material	stainless steel	Wall box version	two-piece wall conduct with separate exhaust and fresh air elements. The two stainless steel design external blinds in modern lamella look with internal back pressure shutters solve even spatially difficult installation situations. An internal stainless steel cover on the waste air element can be pushed over the plastic pipe and completely covers the wall penetration. On the supply side there is a grid outlet with a connector on the round pipe. Both elements can be used next to each other as a set, or as single elements
Mounting/Fixing	installation in the wall	System dimension	150
Note	When installed with an open-flue chimney, please coordinate this with the chimney sweep responsible	Output drive	round
Certification	stainless	Ventilation system	COMPAIR flow 150
Shape	angular		

