



PickUP F

Product number: 1091013

Configuration: nero

Configuration options

1091011 | white glossy

1091012 | slate

1091013 | nero

1091014 | lava

1091015 | white matt

- ✓ Flush mounted sink
- ✓ Built-in sink
- ✓ ceramic

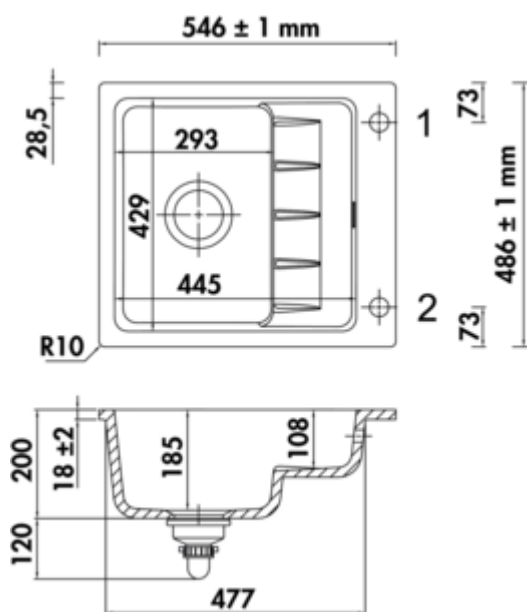
Built-in sink for flush mounting. Ceramic, single bowl with second level, reversible, 3½" basket strainer valve flush with premium rotational excenter fitting, chromed, drill hole 1 + 2 drilled through.

— suitable for worktop thicknesses from 30 mm

— requires beading all round or a support bar (beading depth 25 mm, beading width 8 mm)

— cutout dimensions approx. 550 x 490 mm, R 12 mm

Design by Hans Winkler Design, Grafenau.



[more infos...](#)

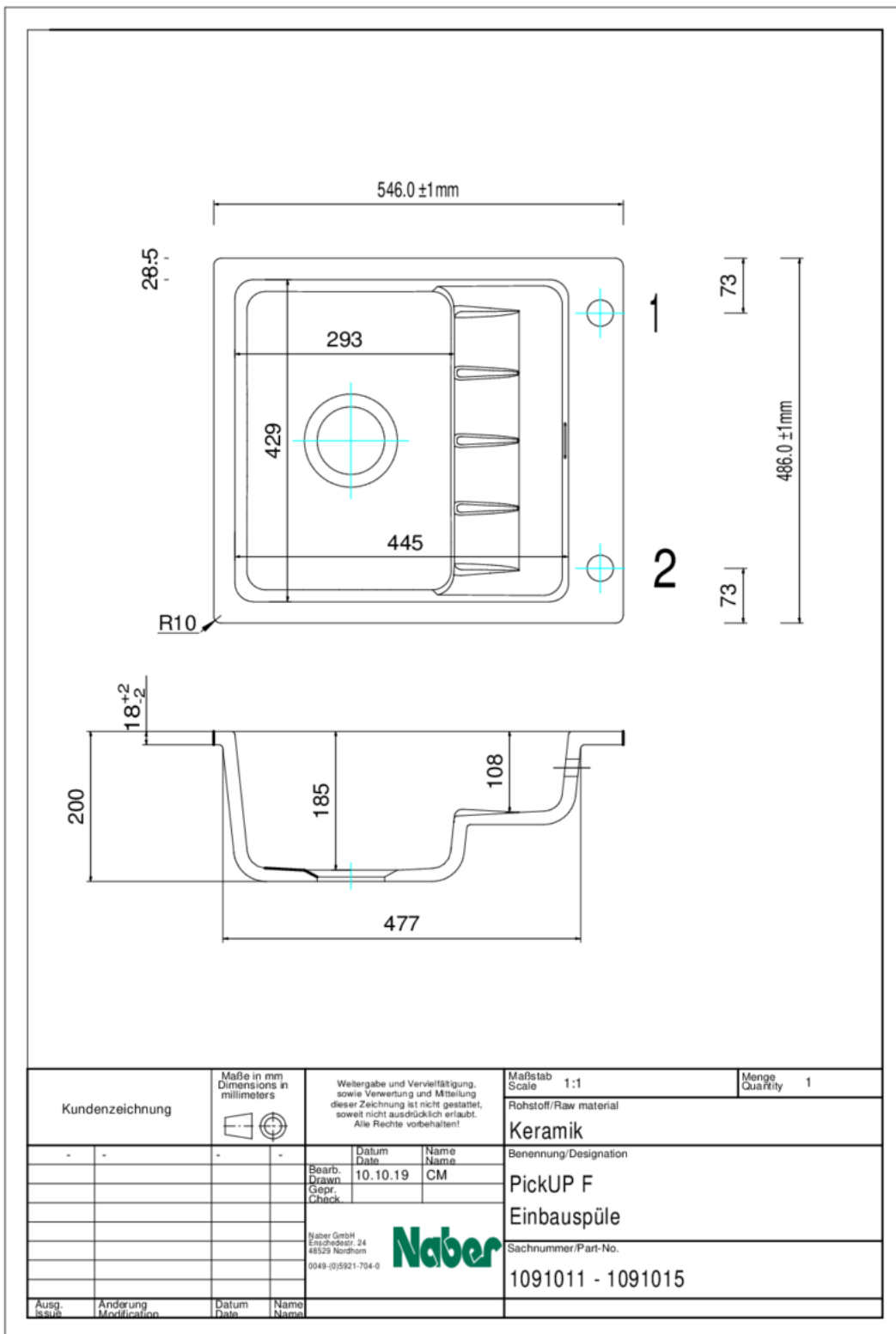
Technical data

Article type	Sink	Height main sink	185 mm
Height	320 mm	Depth main sink	429 mm
Width	546 mm	Flushing radius (R)	10
Material	ceramic	Material thickness worktop minimum	30 mm
Designer	Design by Hans Winkler Design, Grafenau.	Number of tap holes	1
Note	requires beading all round or a support bar (beading depth 25 mm, beading width 8 mm) we recommend using a faucet with pull-out spout or shower head Sink with milled outer edge for flush mounting. Worktop thickness min. 30 mm. Attention: In the cutout, a chamfer of 2 mm x 45° has to be applied to the upper edge!	Armature bench	Yes
Cabinet width	600 mm	Number of holes	2
Cut-out dimension	approx. 550 x 490 mm, R 12 mm	Arrangement sinks	Reversible
Excenter fitting	Eccentric set, chrome-plated	Number of sinks	1 main sink
Valve type	3½" basket strainer valve flush	Number of overflow points	1
Overflow	Overflow in the main basin	Draining board	With integrated drainer
Installation variant	Flush mounted sink Built-in sink	Garnish actuation	Chrome-plated rotary eccentric
Main sink width	293 mm		

Recommendations

1091027	Premium rotational excenter, Accessory, nero
1091036	Premium rotational excenter, Accessory, chrome
1091037	Premium rotational excenter, Accessory, stainless steel

Dimensional sketch (PDF)



Installation dimensions (PDF)

