

M-ZULRG round fresh air grid



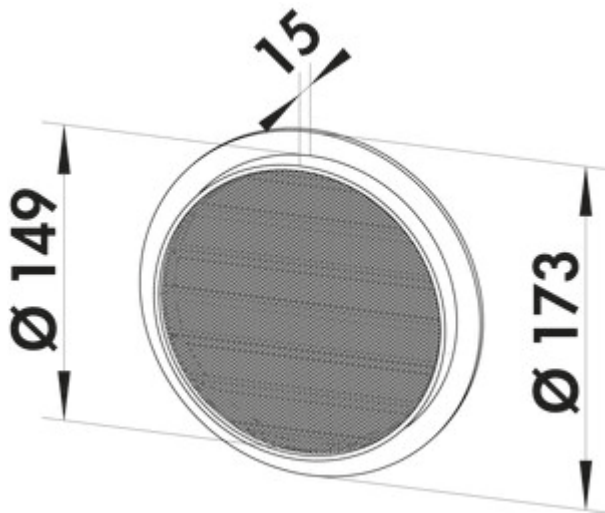
Product number: 4043082

Configuration: d1 = 149 mm, d2 = 173 mm

Configuration options

4043082 | d1 = 149 mm, d2 = 173 mm

- ✓ External blind
 - ✓ surface mounting
- For outside and inside.
- made of high-quality aluminium
 - white
 - connector depth 15 mm
 - incl. inserted fly screen



[more infos...](#)

Technical data

Article type	External blind	Outer diameter	173 mm
Warranty	5-year Naber warranty (except for wear parts); the general warranty conditions of Naber GmbH apply.	Inner diameter	149 mm
Material	aluminium	Support depth	15 mm
Mounting/Fixing	surface mounting	Blind version	fly screen
Field of use & application	Outside Inside	Output drive	round
Shape	round	Ventilation system	Accessories

