

## F-EST 150 end piece

Product number: 4043006

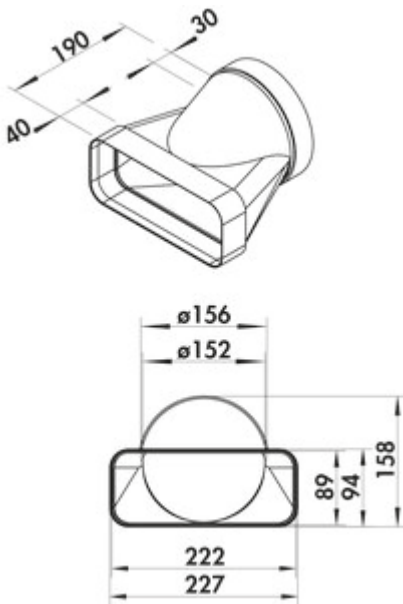
Configuration: white

### Configuration options

4043006 | white

- ✓ Connecting element
- ✓ Plug-in system for subsequent gluing

With integrated sleeve for direct transition from flat to round (wall penetration). Optimised for flow.



[more infos...](#)

### Technical data

|                 |                                      |                     |                  |
|-----------------|--------------------------------------|---------------------|------------------|
| Article type    | Connecting element                   | Connection diameter | 150 mm           |
| Width           | 190 mm                               | System dimension    | 150              |
| Material        | polypropylene                        | Output drive        | round            |
| Mounting/Fixing | Plug-in system for subsequent gluing | Ventilation system  | COMPAIR flow 150 |

