

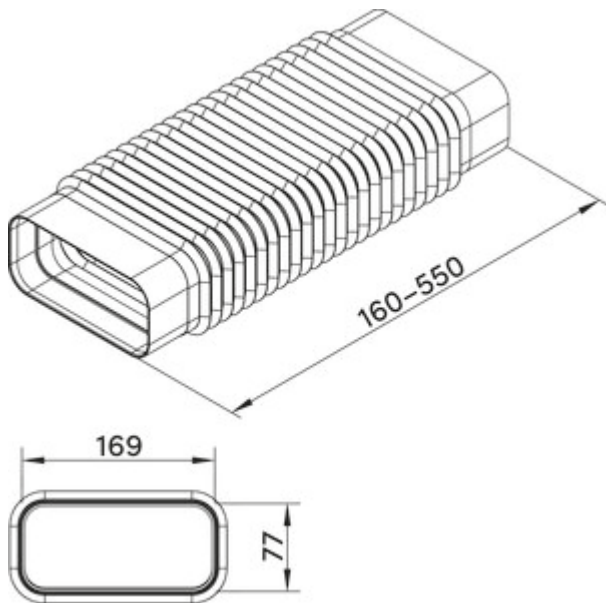
MF-RBFLEX 1 system 125 pipe bend

Product number: 4033023

Configuration: white

Configuration options

4033023 | white



- ✓ Connecting element
- ✓ Plug-in system for subsequent gluing

For diversions and turns up to 90°. Adaptor, flexible, rectangular to rectangular. With connecting sleeve integrated on both sides.

— length 160–550 mm

[more infos...](#)

Technical data

Article type	Connecting element	Connection diameter	125 mm
Width	160 mm	System dimension	125
Properties	flexible	Output drive	angular
Mounting/Fixing	Plug-in system for subsequent gluing	Ventilation system	COMPAIR flow 125
Shape	angular		