



Odour trap 1, flexible

Product number: 1052007

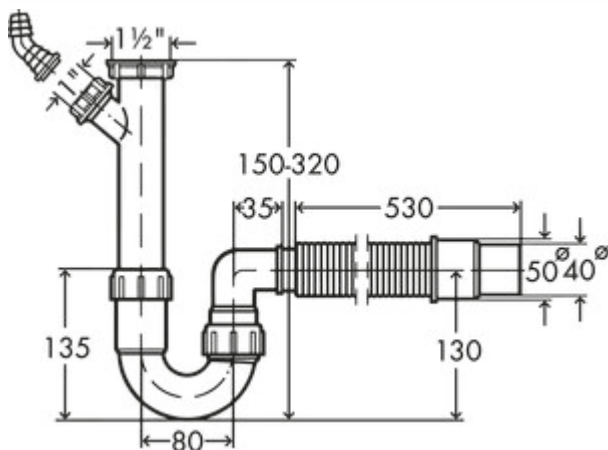
Configuration: Connecting sleeve Ø 40/50 mm

Configuration options

1052007 | Connecting sleeve Ø 40/50 mm

✓ Siphon

The flexible connection of this standard siphon solves almost any plumbing problem. With additional waste water hose connection for dishwasher or washing machine. Drain hose may be shortened.



[more infos...](#)

Technical data

Article type	Siphon	Anschluss für Spül- oder Waschautomat	1
Properties	flexible can be shortened	Diameter connection piece inside	Ø 40/50 mm
Intended use	For the waste water hose of washing machines or dishwashers		