

Cingue LED

Product number: 7065026

Configuration: L 1362 mm, 60 W, stainless steel coloured

Configuration options

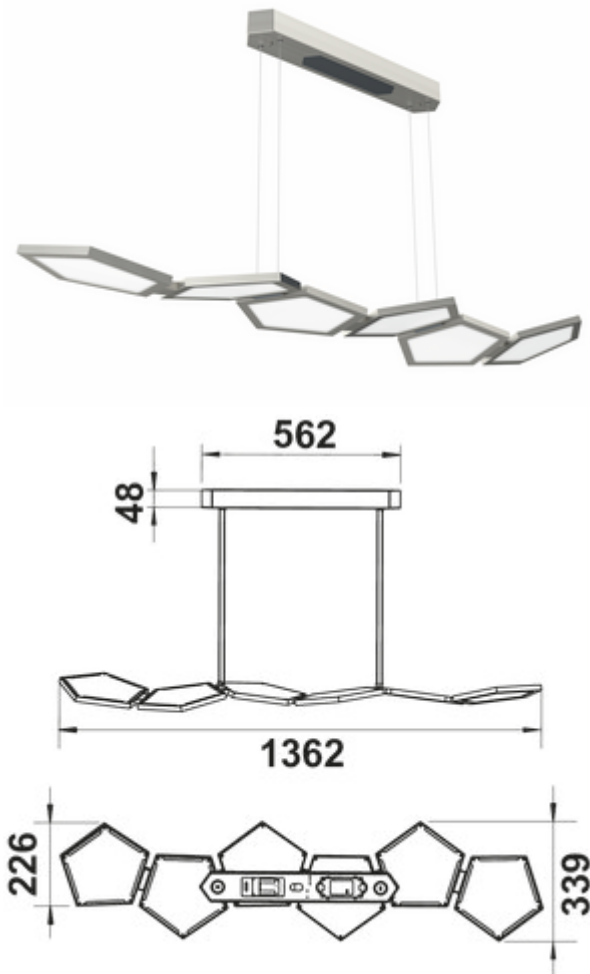
7065026 | L 1362 mm, 60 W, stainless steel coloured

- ✓ Pendant light
- ✓ 2700 K warm white to 6500 K cold white
- ✓ 60 watts

Pendant light. 6 lights. Aluminium body. Cover in toughened safety glass, opal white. Incl. converter and remote control.

- 230 V
- stepless control of the light colour from 2700 K warm white to 6500 K cold white
- memory function: the last setting is saved
- dimmer function: brightness continuously dimmable
- not dimmable with on-site dimmer
- max. 106 lumen/watt at 6500 K cold white
- lighting elements cannot be moved
- suspension max. 1700 mm

This product contains a light source of energy efficiency class F.



[more infos...](#)

Technical data

Article type	Luminaire	Colour temperature adjustable	stepless
Width	1.362 mm	Type of dimming	brightness continuously dimmable
Energy efficiency class	F	Illuminant type	LED
Mains voltage	230 V	Replaceable illuminant	No
Transformer / converter required	Yes, included	Light yield	max. 106 lumen/watt at 6500 K cold white
Mounting/Fixing	Ceiling mounting	Connection	One-sided
Material housing	aluminium	Material cover	safety glass (ESG)
Certification	CE MM sign	Cover colour	opal white
Switch	No	Suspension	1700 mm
Shape	angular	Number of lamps	6
Memory function	Yes	Dimmable by on-site dimmer	No
Illuminant included	Yes	Design	Pendant light
Dimmer	Yes	Dimming function (composite)	Yes, brightness continuously dimmable
Housing colour	stainless-steel coloured	Illuminant power	60 watts
Colour temperature	2700 K warm white to 6500 K cold white		

Dimensional sketch (PDF)

