



Butler sink single bowl

Product number: 1094077

Configuration: pure black

Configuration options

1094020 | white glossy

1094069 | graphite

1094077 | pure black

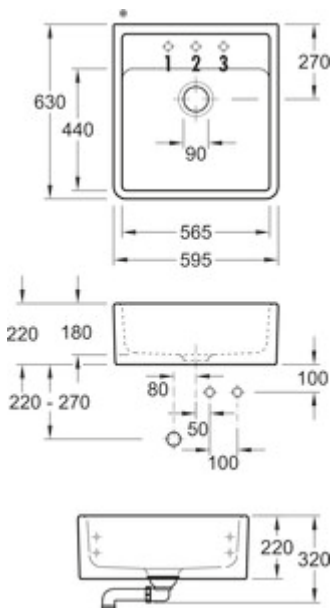
- ✓ Sink
- ✓ ceramic
- ✓ Eccentric set, chrome-plated

Butler sink, ceramic. Single bowl. 3½" basket strainer valve flush, rotational excenter fitting, chrome-plated, turning knob stainless steel coloured, attachment set for installation on a floor cabinet.

— rear of sink is unglazed

— sink is delivered with 2 drill holes (1 + 2)

— Please state if different drill hole (1, 2 or 3) or none is required.



ceramicplus
Villeroy & Boch

[more infos...](#)

Technical data

Article type	Sink	Installation variant	Sink
Width	595 mm	Main sink width	565 mm
Material	ceramic	Height main sink	180 mm
Note	rear of sink is unglazed	Depth main sink	440 mm
Cabinet width	600 mm	Armature bench	Yes
Consisting of	3½" basket strainer valve flush rotational excenter fitting, chrome-plated, turning knob stainless steel coloured attachment set for installation on a floor cabinet	Number of holes	sink is delivered with 2 drill holes (1 + 2) please state if different drill hole (1, 2 or 3) or none is required
Excenter fitting	Eccentric set, chrome-plated	Number of sinks	1 main sink
Valve type	3½" basket strainer valve flush	Number of overflow points	1
Overflow	Overflow in the main basin	Garnish actuation	Chrome-plated rotary eccentric, stainless steel coloured rotary handle

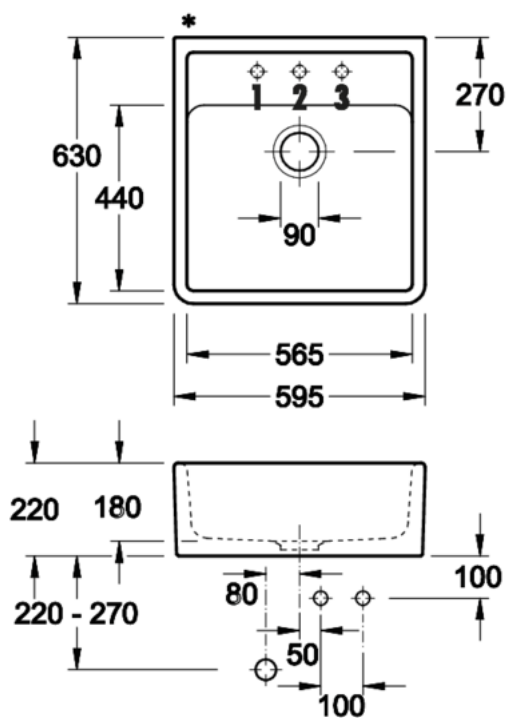
Accessories

1094064 Attachment set for wall mount, Accessory, set

Recommendations

1094066 Hole drilling, Accessory, Ø 35 mm

Dimensional sketch (PDF)



Zul. Abw. f. Maße ohne Toleranzangabe General tolerances DIN ISO 2768m		Maße in mm Dimensions in millimeters	Weitergabe und Verantwortl. für sowie Verwertung und Mittelung dieser Zeichnung ist nicht gestattet, soweit nicht ausdrücklich erlaubt. Alle Rechte vorbehalten!		Maßstab Scale 1:1	Menge Quantity 1
-		-		Datum Date 10.04.15	Rohstoff/Raw material Keramik	
-		-		Name Name cg	Benennung/Designation Spülstein Einzelbecken Spülstein	
-		-		Sachnummer/Part-No. 1094020		
Ausg. Änderung Issu. Modification		Datum Date	Name Name			