

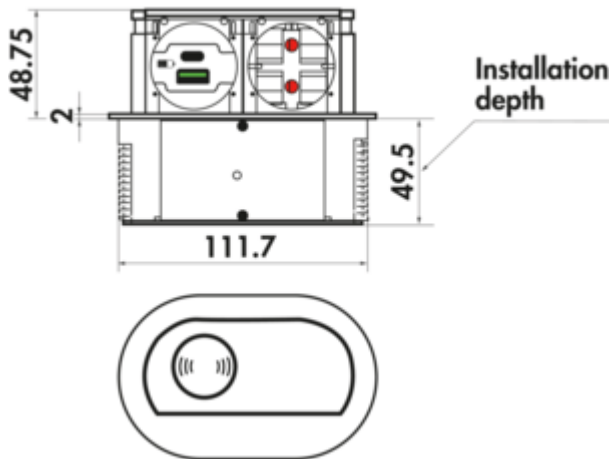
Piccolino Qi USB A/C

Product number: 7053201

Configuration: cover in glossy black coloured glass

Configuration options

7053201 | cover in glossy black coloured glass



- ✓ Built-in socket element
- ✓ 1 x earthed plug socket
- ✓ USB-A

Socket element. Retractable. With 1 earthed socket, double USB charger A/C and Qi charging function in the lid. For installation in worktops.

- material plastic, black
- cover black glossy glass
- 1 x USB charger type A, 5 VDC, I A/I out: 1100mA
- 1 x USB charger type C, 5 VDC, I A/I out: 1100mA
- 2000 mm mains connection line with earthed plug
- drill \varnothing ca. 68 mm
- for worktop thicknesses from 16 mm, fixing via threaded ring
- cable outlet underneath



[more infos...](#)

Technical data

Article type	Socket element	Mains plug loosely enclosed	Yes
Drilling diameter	68 mm	Colour socket	black
Width	111,7 mm	Height extended	48,75 mm
Cable outlet	cable outlet below	Qi charging surface	Yes
Mounting/Fixing	fixing via threaded ring	Number of USB ports	2
Material housing	plastic	USB type	USB-A USB-C
Material fascia	glass	Total charging current	1100 mA
Certification	CE	Type of socket element	Built-in socket element
Length of the supply line (primary)	2.000 mm	Number of sockets (total)	1
Installation depth	49,5 mm	Opening mechanism	Push-to-open
Version sockets	1 x earthed plug socket	Worktop thickness	from 16 mm
Flush mountable	Yes, H 2 mm	USB version	1 x USB charger type A, 5 VDC, I A/ I out: 1100mA 1 x USB charger type C, 5 VDC, I A/ I out: 1100mA