

PRIME flow P-UVB 150 universal connector

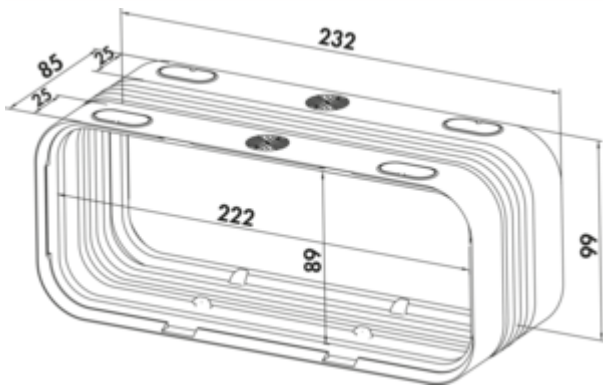


Product number: 4051004
 Configuration: light grey

Configuration options

4051004 | light grey

- ✓ Connecting element
- ✓ can be installed horizontally and vertically
- flexible connector for flat duct pipes and flat duct pipe bends
- manufactured in one piece from soft and hard components
- 2-lip seal for **airtight** installation, fulfils at least tightness class ATC3 according to DIN EN 16798 in system construction
- outer grip points for better handling and decoupling of structure-borne sound
- compensator for flexible installation, horizontal/ vertical 0°–15°
- length 85 mm



[more infos...](#)

Technical data

Article type	Connecting element	Further	outer grip points for better handling and decoupling of structure-borne sound
Brand	PRIME flow	Suitable for	for flat duct pipes and flat duct pipe bends
Width	85 mm	System dimension	150
Properties	flexible (horizontal/ vertical 0°–15°)	Output drive	angular
Mounting/Fixing	can be installed horizontally and vertically	Ventilation system	COMPAIR PRIME flow®
Note	manufactured in one piece from soft and hard components 2-lip seal for airtight installation, fulfils at least tightness class ATC3 according to DIN EN 16798 in system construction		

