



PRIME flow P-EST 150 end piece

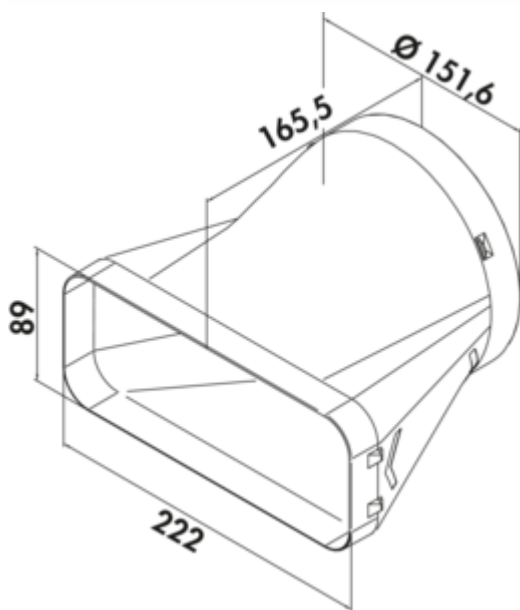
Product number: 4051018

Configuration: light grey

Configuration options

4051018 | light grey

- ✓ Connecting element
- ✓ N-click system with integrated latching elements
- N-Klick system for secure connection with the universal connector
- for direct transition from flat to round
- optimised flow guidance enables loss-free transition



[more infos...](#)

Technical data

Article type	Connecting element	Suitable for	for the direct transition from flat duct to round pipe
Brand	PRIME flow	System dimension	150
Width	165,5 mm	Output drive	angular round
Mounting/Fixing	N-click system with integrated latching elements	Ventilation system	COMPAIR PRIME flow [®]
Further	optimised flow guidance enables loss-free transition		

