

Anelli colour change LED 2

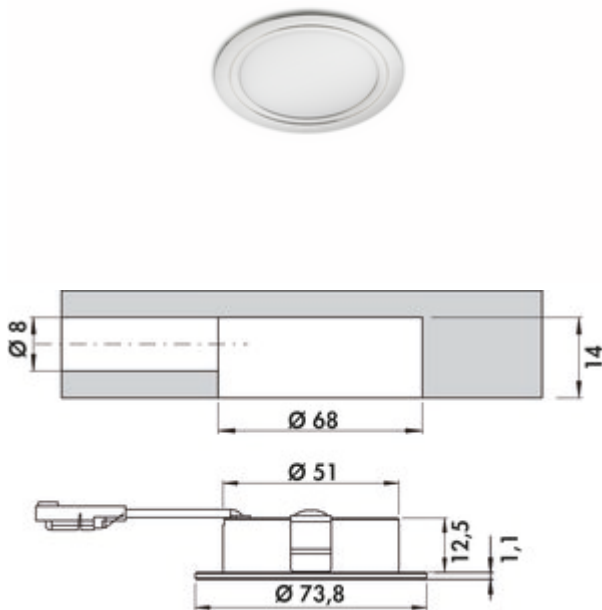
Product number: 7061374

Configuration: individual lamp without switch, stainless steel coloured

Configuration options

7061374 | individual lamp without switch, stainless steel coloured

7061375 | individual lamp without switch, black matt



- ✓ Built-in lamp
- ✓ 2700 K warm white to 6500 K cold white
- ✓ 2.5 watts

Built-in lamp. Aluminium body. Illumination without visible LED points. Individual lamp without switch

- 2,5 watts, 24 V
- continuous control of the light colour from 2700 K warm white to 6500 K cold white
- dimmer function: brightness continuously dimmable
- max. 108 lumen/watt at 6500 K cold white
- 1800 mm supply line
- drill \varnothing 68 mm
- installation depth 14 mm

This product contains a light source of energy efficiency class D.



[more infos...](#)

Technical data

| | | | |
|-------------------------------------|---------------|--|--|
| Article type | Luminaire | Colour temperature | 2700 K warm white to 6500 K cold white |
| Drilling diameter | 68 mm | Colour temperature adjustable | stepless |
| Energy efficiency class | D | Type of dimming | brightness continuously dimmable |
| Material housing | aluminium | Illuminant type | LED |
| Certification | CE MM sign | Replaceable illuminant | No |
| Shape | round | Light yield | max. 108 lumen/watt at 6500 K cold white |
| Length of the supply line (primary) | 1.800 mm | Homogeneous light field without visible LED points | Yes |
| Installation depth | 14 mm | Design | Built-in lamp |
| Illuminant included | Yes | Dimming function (composite) | Yes, brightness continuously dimmable |
| Dimmer | Yes | Illuminant power | 2.5 watts |

Accessories

| | |
|---------|---|
| 7061378 | LED connection line, Connection line/element, white |
| 7061376 | Anelli mounting ring R, Accessory, round, stainless steel coloured, 13 mm |
| 7061400 | MEC Driver LED converter, 18 W, 12/24 V |
| 7061401 | MEC Driver LED converter, 36 W, 12/24 V |
| 7061402 | MEC Driver LED converter, 48 W, 12/24 V |
| 7061403 | MEC Driver LED converter, 60/72 W, 12/24 V |
| 7061404 | MEC Driver LED converter, 90 W, 24 V |
| 7061405 | MEC Driver LED converter, 120 W, 24 V |
| 7061427 | MEC Driver LED 1-channel module radio/ZigBee, Accessory, 24 V |
| 7061429 | MEC Driver LED 4-channel module radio/ZigBee, Accessory, 24 V |
| 7061430 | MEC Driver LED remote control 1+4 channel ZigBee, black |
| 7061431 | MEC Driver LED remote control 1+4 channel ZigBee, white |
| 7061380 | Distributor 24 V, Distributor, white |