

Anelli colour change LED 2

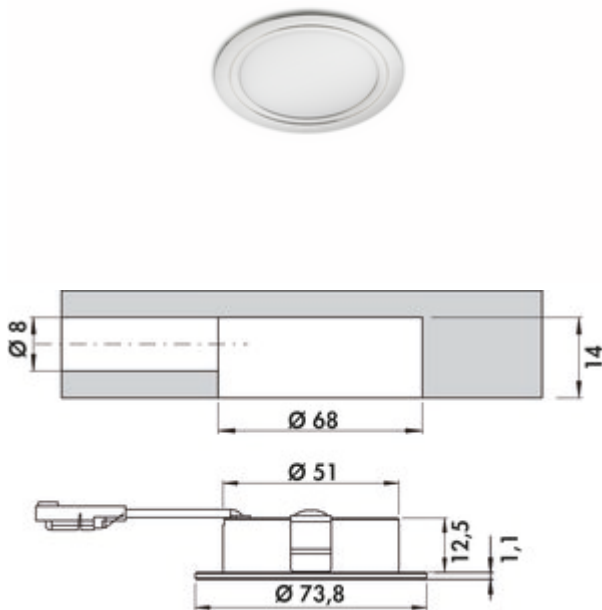
Product number: 7061374

Configuration: individual lamp without switch, stainless steel coloured

Configuration options

7061374 | individual lamp without switch, stainless steel coloured

7061375 | individual lamp without switch, black matt



✓ Built-in lamp

✓ 2700 K warm white to 6500 K cold white

✓ 2.5 watts

Built-in lamp. Aluminium body. Illumination without visible LED points. Individual lamp without switch

— 2,5 watts, 24 V

— continuous control of the light colour from 2700 K warm white to 6500 K cold white

— dimmer function: brightness continuously dimmable

— max. 108 lumen/watt at 6500 K cold white

— 1800 mm supply line

— drill Ø 68 mm

— installation depth 14 mm

This product contains a light source of energy efficiency class D.



[more infos...](#)

Technical data

Article type	Luminaire	Colour temperature	2700 K warm white to 6500 K cold white
Drilling diameter	68 mm	Colour temperature adjustable	stepless
Energy efficiency class	D	Type of dimming	brightness continuously dimmable
Material housing	aluminium	Illuminant type	LED
Certification	CE MM sign	Replaceable illuminant	No
Shape	round	Light yield	max. 108 lumen/watt at 6500 K cold white
Length of the supply line (primary)	1.800 mm	Homogeneous light field without visible LED points	Yes
Installation depth	14 mm	Design	Built-in lamp
Illuminant included	Yes	Dimming function (composite)	Yes, brightness continuously dimmable
Dimmer	Yes	Illuminant power	2.5 watts

Accessories

7061378	LED connection line, Connection line/element, white
7061377	Anelli mounting ring R, Accessory, round, black matt, 13 mm
7061376	Anelli mounting ring R, Accessory, round, stainless steel coloured, 13 mm
7061400	MEC Driver LED converter, 18 W, 12/24 V
7061401	MEC Driver LED converter, 36 W, 12/24 V
7061403	MEC Driver LED converter, 60/72 W, 12/24 V
7061405	MEC Driver LED converter, 120 W, 24 V
7061427	MEC Driver LED 1-channel module radio/ZigBee, Accessory, 24 V
7061429	MEC Driver LED 4-channel module radio/ZigBee, Accessory, 24 V
7061430	MEC Driver LED remote control 1+4 channel ZigBee, black
7061431	MEC Driver LED remote control 1+4 channel ZigBee, white
7061408	MEC Driver LED distributor module, Distributor, 24 V
7061409	MEC Driver LED connecting line, Connection line/element, L 100 mm
7061413	MEC Driver LED switching module, Accessory, 24 V