

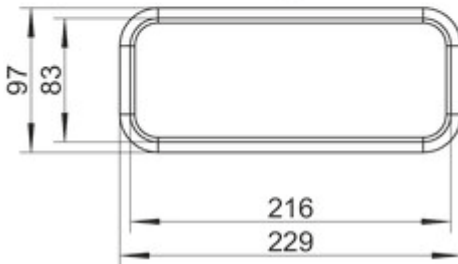
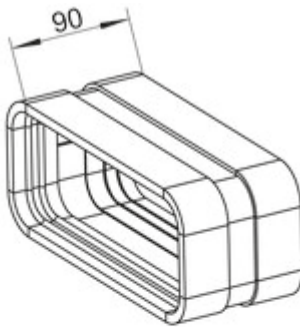
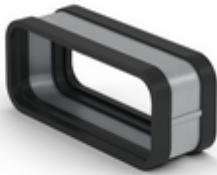
STEEL flow SF-VBS 150 pipe bend connector

Product number: 4061034

Configuration: galvanized steel

Configuration options

4061034 | galvanized steel



✓ Connecting element

✓ plug-in system

For connecting two flat duct bends. (Not suitable for connecting flat ducts)

— length 90 mm

— 2 SF profile linings pre-assembled

[more infos...](#)

Technical data

Article type	Connecting element	Note	2 SF profile linings pre-assembled Not suitable for connecting flat ducts
Brand	STEEL flow	Surface/coating	galvanised
Warranty	5-year Naber warranty (except for wear parts); the general warranty conditions of Naber GmbH apply.	Shape	angular
Width	90 mm	Outer diameter	150 mm
Material	galvanized steel	Output drive	angular
Mounting/Fixing	plug-in system	Ventilation system	COMPAIR STEEL flow [®] 150

