

Kreta 2 straight

Product number: 3023026

Configuration: stainless steel coloured, H 190 mm



Configuration options

3023026 | stainless steel coloured, H 190 mm

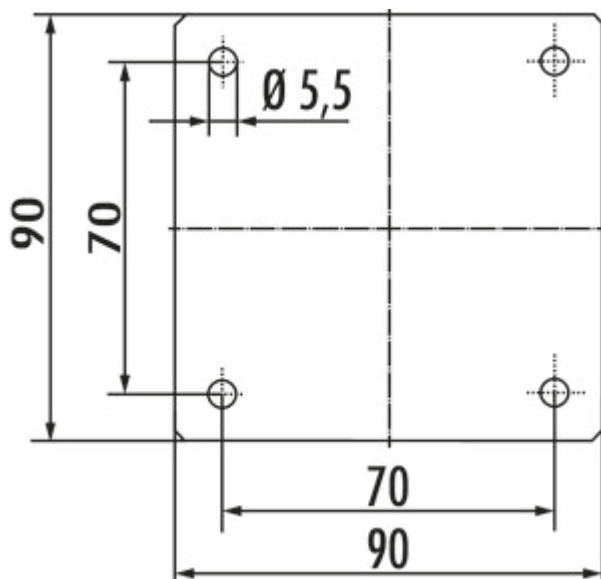
3023027 | stainless steel coloured, H 230 mm

3023029 | stainless steel coloured, H 170 mm

3023033 | black matt, H 170 mm

3023034 | black matt, H 190 mm

3023035 | black matt, H 230 mm



- ✓ Console
- ✓ Material: aluminium
- ✓ angular

Console. Aluminium profile 50 x 50 mm.

— straight

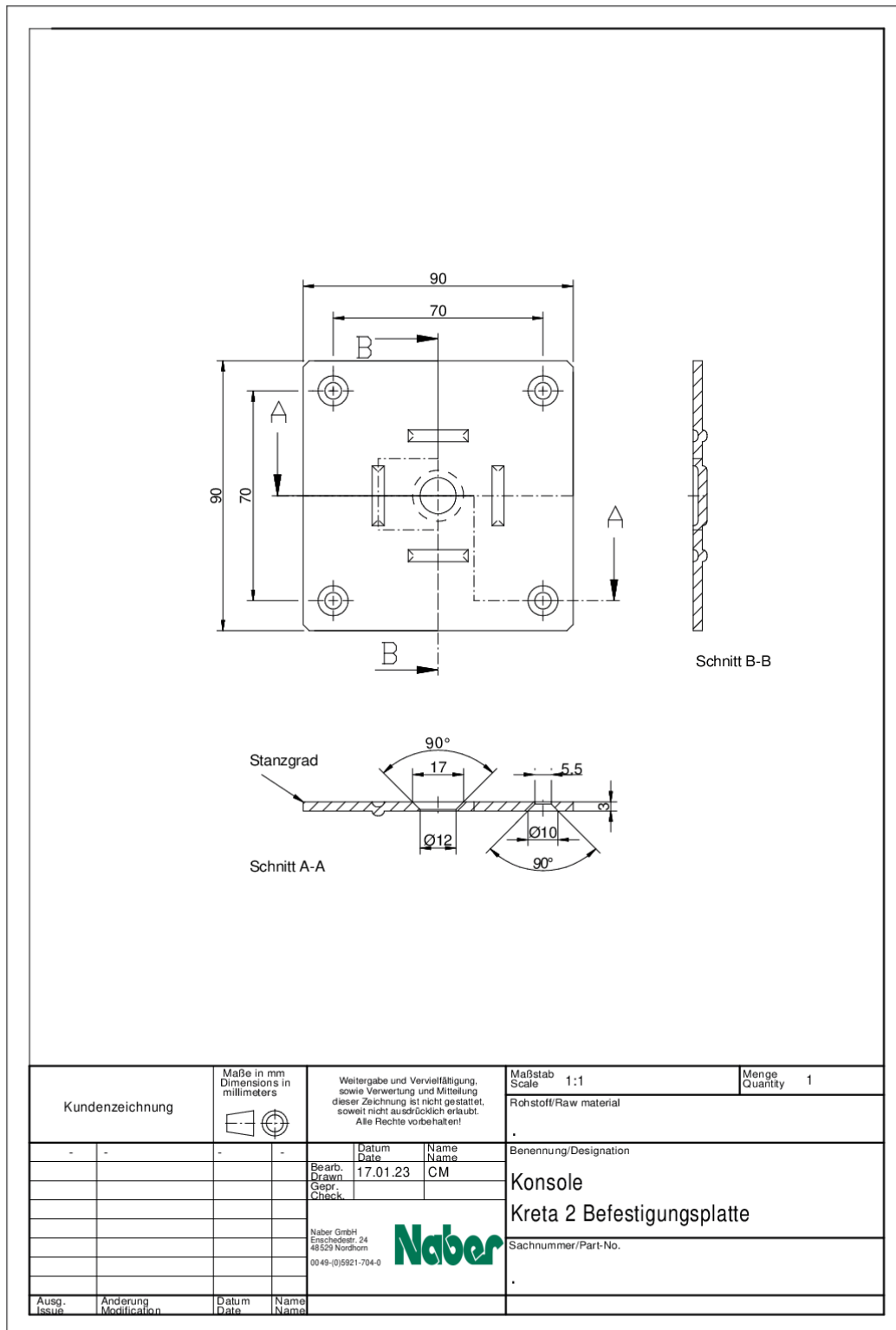
— max. load per pair approx. 60 kg given even distribution, max. spacing of the consoles of 900 mm and max. projection of the plates of 250 mm

[more infos...](#)

Technical data

| | | | |
|--------------------|------------|----------------------------|--|
| Article type | Console | Carrying capacity | max. load per pair approx. 60 kg given even distribution, max. spacing of the consoles of 900 mm and max. projection of the plates of 250 mm |
| Width | 50 mm | Inclination angle | 0° |
| Material | aluminium | Support element version | straight |
| Shape | angular | Dimensions support surface | 90 x 90 mm |
| Dimensions profile | 50 x 50 mm | Material profile | aluminium |

Dimensional sketch (PDF)



| | | | | |
|-----------------|---|--|----------------------------|---------------------|
| Kundenzeichnung | Maße in mm Dimensions in millimeters | Weitergabe und Vervielfältigung, sowie Verwertung und Mittellung dieser Zeichnung ist nicht gestattet, soweit nicht ausdrücklich erlaubt. Alle Rechte vorbehalten! | Maßstab Scale 1:1 | Menge Quantity 1 |
| - | - | Datum Date 17.01.23 | Rohstoff/Raw material | |
| - | - | Name Name CM | Benennung/Designation | |
| - | - | Bearb. Drawn | Konsole | |
| - | - | Gepr. Gepr. | Kreta 2 Befestigungsplatte | |
| - | - | Check. | Sachnummer/Part-No. | |
| - | - | Naber GmbH Enschedeestr. 24 48529 Nordhorn 0049-(0)5921-704-0 | . | |
| Ausg. Issue | Anderung Modification | Datum Date | Name Name | |