



Ideal Standard Ceraplan bathroom

Product number: 5024078

Configuration: chrome, high pressure

Configuration options

5024078 | chrome, high pressure

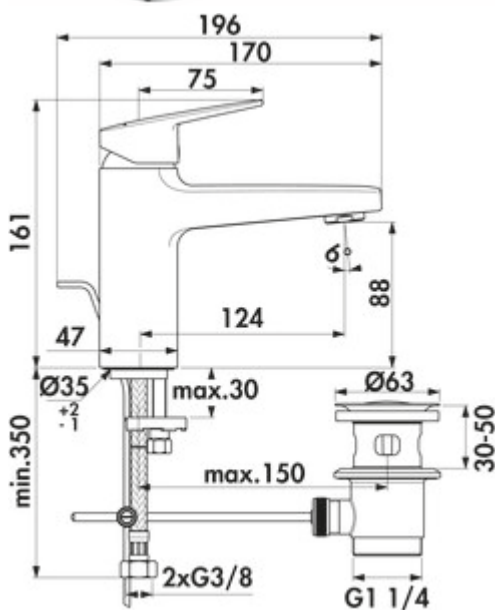
- ✓ Washbasin tap
- ✓ high pressure
- ✓ Flow limiter

Single lever faucet. With pop-up rod waste fitting 1¼", ceramic cartridge and ECO function (with temperature control and 5 l aerator).

— drill Ø 35 mm

— EASY-FIX mounting system

German
Engineering



[more infos...](#)

Technical data

Article type	Washbasin tap	Operating pressure	high pressure
Brand	Ideal Standard	Width	47 mm
Number of handles	1	Material	brass
Total installation height	161 mm	Hose thread	3/8"
Outreach	124 mm	Worktop thickness	30 mm
Discharge height	88 mm	Exceter fitting	With pop-up rod waste fitting 1¼"
Operating mode	Lever	Number of tap holes	1
Drilling diameter	35 mm	ECO function	Flow limiter Water saving function temperature control 5 l aerator
Handle position	top	Temperature limiter/scald protection	Yes
Lever length	75 mm	Angle of inclination of aerator	6 °
Cartridge with ceramic sealing discs	Yes	Max. Flow rate at 3 bar	5 l/min
Type of fitting	Single lever faucet		