



T-HS 125 y-pipe

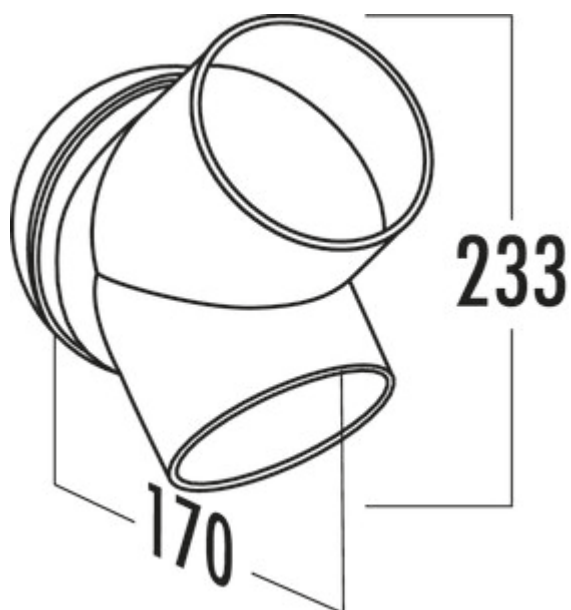
Product number: 4021040

Configuration: white

Configuration options

4021040 | white

- ✓ Connecting element
- ✓ Plug-in system for subsequent gluing
- 2 x Ø 125 mm
- connector depth 30 mm, Ø 150 mm



[more infos...](#)

Technical data

Article type	Connecting element	Connection diameter	125 mm
Material	Polystyrene	System dimension	125
Mounting/Fixing	Plug-in system for subsequent gluing	Output drive	round
Shape	round	Ventilation system	COMPAIR top

