

Due double socket

Product number: 7053082

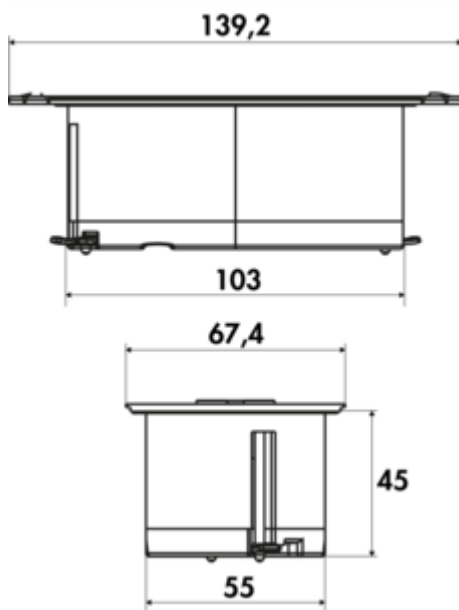
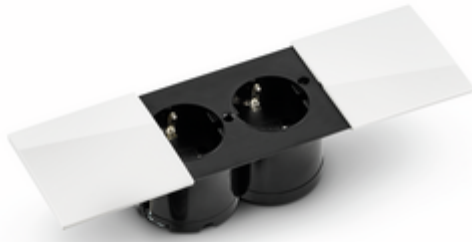
Configuration: with two-pin earthed plugs, white

Configuration options

7053067 | with two-pin earthed plugs, stainless steel coloured

7053081 | with two-pin earthed plugs, black

7053082 | with two-pin earthed plugs, white



- ✓ Built-in socket element
- ✓ 2 x earthen plug socket
- ✓ angular

Socket element. 2-fold. With sliding lid. For installation in worktop, front panel or side wall.

- drill \varnothing 2 x 56 mm
- installation depth ca. 45 mm
- 2000 mm mains connection line, two-pin earthed plug supplied loose
- incl. drilling template
- lids can be opened separately
- cable outlet below centre



[more infos...](#)

Technical data

Article type	Socket element	Length of the supply line (primary)	2.000 mm
Height	45 mm	Installation depth	45 mm
Drilling diameter	56 mm	Version sockets	2 x earthen plug socket
Width	139,2 mm	Mains plug loosely enclosed	Yes
Cable outlet	cable outlet below centre	Colour bezel	white
Mounting/Fixing	in the worktop front panel side wall	Colour socket	black
Certification	CE	Cover/blind type	Sliding lid
Cut-out dimension	according to template	Type of socket element	Built-in socket element
Shape	angular	Number of sockets (total)	2