

## N-UR 100 deflector 90° with round pipe

Product number: 4011014

Configuration: L 500 mm, white

### Configuration options

4011014 | L 500 mm, white

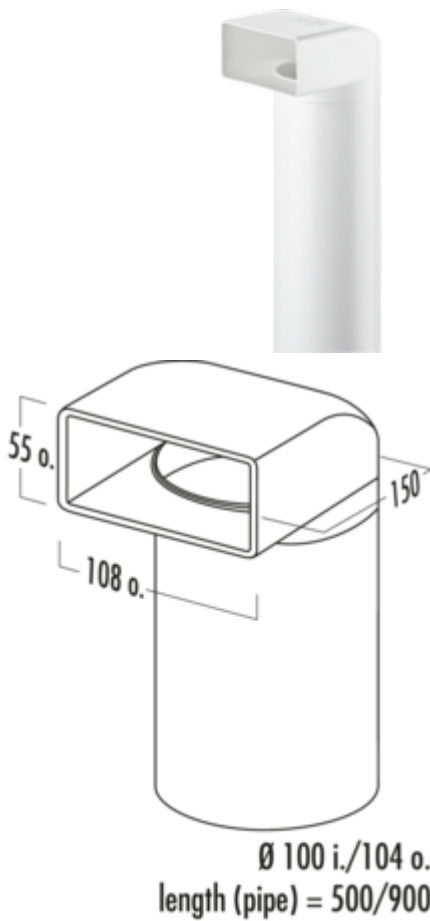
4011015 | L 900 mm, white

- ✓ Connecting element
- ✓ Plug-in system for subsequent gluing

With guide vanes and round pipe.

**To achieve optimum flow performance, always use the deflectors with round pipe.**

**Only use the deflectors with hose (N-URX) in exceptional cases, if no other engineering option exists.**



[more infos...](#)

### Technical data

Article type	Connecting element	Shape	angular	
Height	55 mm	Connection diameter	100 mm	
Width	500 mm	System dimension	100	
Mounting/Fixing	Plug-in system for subsequent gluing	Output drive	round	
Note	To achieve optimum flow performance, always use the deflectors with round pipe only use the deflectors with hose (N-URX) in exceptional cases, if no other engineering option exists		Ventilation system	COMPAIR norm