

Guidance colour change LED

Product number: 7065040

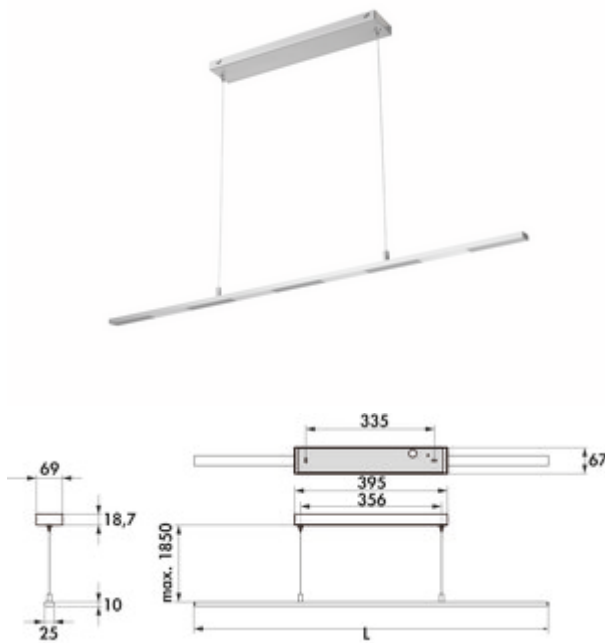
Configuration: L 900 mm, 12.4 W, stainless steel coloured

Configuration options

7065040 | L 900 mm, 12.4 W, stainless steel coloured

7065041 | L 1200 mm, 18.6 W, stainless steel coloured

7065042 | L 1500 mm, 21.7 W, stainless steel coloured



- ✓ Pendant light
- ✓ 2700 K warm white to 6500 K cold white
- ✓ 12.4 watts

Pendant light. Aluminium body. Incl. converter and 1-channel colour change remote control.

- 230 V
 - stepless control of the light colour from 2700 K warm white to 6500 K cold white
 - memory function: the last setting is saved
 - dimmer function: brightness continuously dimmable
 - not dimmable with on-site dimmer
 - max. 83 lumen/watt at 6500 K cold white
 - suspension max. 1850 mm
 - can be operated with the 1- or 4-channel radio remote control
 - LIC LED system compatible
- This product contains a light source of energy efficiency class G.



[more infos...](#)

Technical data

Article type	Luminaire	Colour temperature	2700 K warm white to 6500 K cold white
Warranty	2-year Naber warranty (except for wear parts); the general warranty conditions of Naber GmbH apply.	Colour temperature adjustable	stepless
Width	900 mm	Type of dimming	brightness continuously dimmable
Energy efficiency class	G	LIC system compatible	Yes
Mains voltage	230 V	Illuminant type	LED
Transformer / converter required	Yes, included	Replaceable illuminant	No
Mounting/Fixing	Ceiling mounting	Light yield	83 lumen/watt
Material housing	aluminium	Connection	One-sided
Switch	No	Suspension	1850 mm
Shape	straight	Dimmable by on-site dimmer	No
Memory function	Yes	Design	Pendant light
Illuminant included	Yes	Dimming function (composite)	Yes, brightness continuously dimmable
Dimmer	Yes	Illuminant power	12.4 watts
Housing colour	stainless-steel coloured		

Accessories

7061285	1-channel colour change remote control, white
7061276	4 channel colour change remote control, white

Dimensional sketch (PDF)

