

## LINEA Kardon 2 bathroom



Product number: 5011095

Configuration: black matt, high pressure

### Configuration options

5011086 | chrome, high pressure

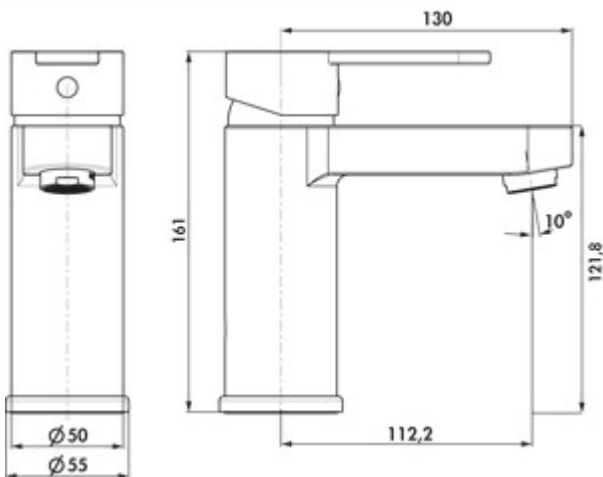
5011095 | black matt, high pressure

✓ Washbasin tap

✓ high pressure

Single lever faucet. With pop-up rod waste fitting 1¼" and ceramic cartridge.

— drill Ø 35 mm



[more infos...](#)

### Technical data

|                           |               |                                      |                                   |
|---------------------------|---------------|--------------------------------------|-----------------------------------|
| Article type              | Washbasin tap | Cartridge with ceramic sealing discs | Yes                               |
| Brand                     | LINEA         | Type of fitting                      | Single lever faucet               |
| Number of handles         | 1             | Operating pressure                   | high pressure                     |
| Total installation height | 161 mm        | Width                                | 55 mm                             |
| Height                    | 161 mm        | Material                             | brass                             |
| Outreach                  | 112,2 mm      | Excenter fitting                     | With pop-up rod waste fitting 1¼" |
| Discharge height          | 121,8 mm      | Number of tap holes                  | 1                                 |
| Operating mode            | Lever         | Angle of inclination of aerator      | 10 °                              |
| Drilling diameter         | 35 mm         | Max. Flow rate at 3 bar              | 11,9 l/min                        |
| Handle position           | top           |                                      |                                   |

### Accessories

|         |                                  |
|---------|----------------------------------|
| 5031020 | Spacer disk, Accessory, white    |
| 5031005 | Dirt Filter Ecco 1, 3/8", chrome |