

Corner double socket

Product number: 7031220

Configuration: stainless steel coloured

Configuration options

7031220 | stainless steel coloured

- ✓ Corner socket element
- ✓ 2 x earthed plug socket
- ✓ angular

Socket element. 2-fold. Stainless steel casing with black socket inserts.

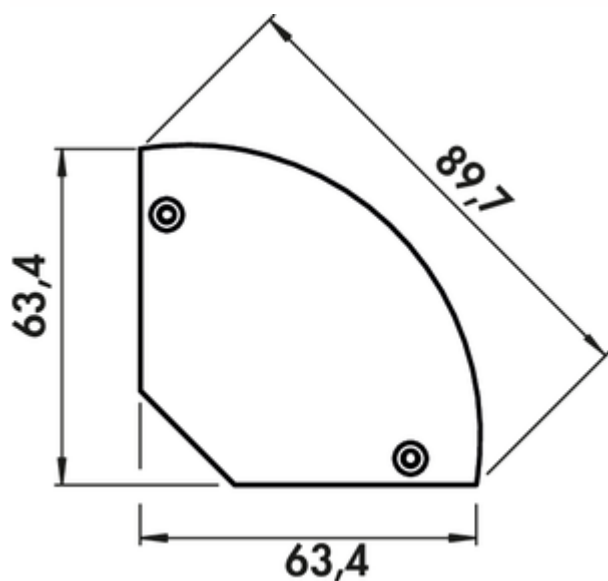
— 220–240V /16 A

— 152 x 63,4 x 63,4 mm (H x W x D)

— cable outlet in the middle

— 2000 mm mains connection line, earthing contact plug enclosed loosely

— increased contact protection



[more infos...](#)

Technical data

Article type	Socket element	Length of the supply line (primary)	2.000 mm
Height	152 mm	Version sockets	2 x earthed plug socket
Width	89,7 mm	Mains plug loosely enclosed	Yes
Material	aluminium ABS plastic	Colour socket	black
Mains voltage	220–240 V	Type of socket element	Corner socket element
Protection class	IP20	Rated current	16 A
Cable outlet	cable outlet back	Number of sockets (total)	2
Mounting/Fixing	Corner mounting Base unit installation (wall unit/shelf)	Touch protection ("child safety lock")	with increased contact protection
Certification	CE	Switching current	16 A
Shape	angular		