



Premium 700 EC

Product number: 8012031

Configuration: anthracite, H 312 mm

Configuration options

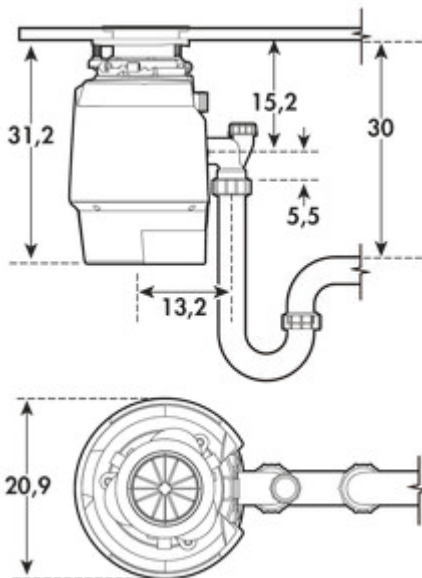
8012031 | anthracite, H 312 mm

- ✓ Kitchen waste disposals
- ✓ Grinding chamber capacity: 0,98 l
- ✓ stainless steel

The kitchen waste disposal device may be continuously filled. Automatic change of rotational direction to extend the service life and for trouble-free use. Stainless steel grinding chamber 980 ml, low-noise, with enclosed air break switch in chrome, 2-way grinding process, overload switch with manual reset switch, splash-proof, GS connection, motor with 0.75 hp. Suitable for 3½" drains.

Before installing the waste disposal unit, please contact the competent authorities for information on the regional legal regulations!

- Ø 209 mm
- weight 8.12 kg
- 380 watt



[more infos...](#)

Technical data

Article type	Kitchen waste disposal	Diameter	209 mm
Width	209 mm	Shape	round
Material	stainless steel	Number of containers	1
Properties	Maintenance-free quiet Self-cleaning Splash-proof	Total volume	1 l
Note	Before installing the waste disposal unit, please contact the competent authorities for information on the regional legal regulations!	Volume/content container 1	1 l
Material grinding chamber	stainless steel	Design	Kitchen waste disposals
Engine power	0.75 hp	Volume/Content container	1
Grinding chamber capacity	0,98 l	Volume	40 % quieter than standard