

Standard S2



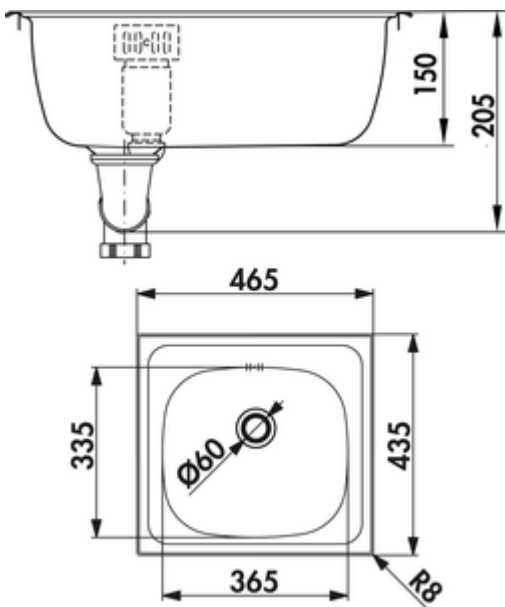
Product number: 1016057
Configuration: stainless steel

Configuration options

1016057 | stainless steel

- ✓ Built-in sink
- ✓ 1½" drain and spillover valve
- ✓ Plug valve

Built-in sink. Single bowl. 1½" drain and spillover fittings.
— suitable for worktop thicknesses from 30 mm to 40 mm
— cut-out dimensions ca. 445 x 415 mm



[more infos...](#)

Technical data

Article type	Sink	Main sink width	365 mm
Height	205 mm	Height main sink	335 mm
Width	465 mm	Depth main sink	150 mm
Material	stainless steel	Flushing radius (R)	8
Cabinet width	450 mm	Maximum worktop material thickness	40 mm
Cut-out dimension	approx. 445 x 415 mm	Material thickness worktop minimum	30 mm
Excenter fitting	1½" drain and spillover valve	Armature bench	No
Valve type	Plug valve	Number of sinks	1 main sink
Overflow	Overflow in the main basin	Number of overflow points	1
Installation variant	Built-in sink		

Spare Parts

1016058	Drain and spillover valve, Accessory, 1½", for Standard S1, S2 und S8
---------	---

Recommendations

1111141	Stainless steel system care, Cleaning agent,
1111142	Stainless steel cleaning agent Utral, Cleaning agent, 250 ml
1111143	Stainless steel care agent Edelglanz, Cleaning agent, 250 ml