



Connero 2

Product number: 3011108

Configuration: black matt, H 720 mm

Configuration options

3011108 | black matt, H 720 mm

3011109 | black matt, H 870 mm

3011110 | black matt, H 1100 mm

✓ Support foot

✓ square

✓ straight

Supporting foot. Square, cannot be shortened.

— height plus 5 mm height adjustment

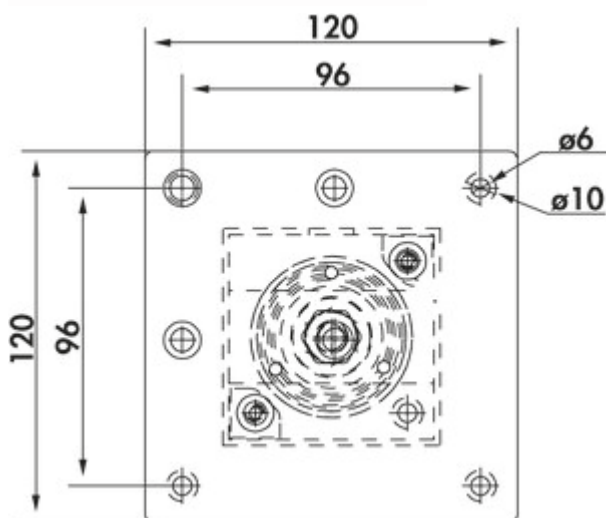
— tube 70 x 70 mm

— can be mounted flush with the corner or centrally

— with 2 integrated earthened plug sockets

— supply line 1900 mm, 3-core, free ends

— bearing capacity approx. 120 kg



[more infos...](#)

Technical data

Article type	Support foot	Tube dimension	70 x 70 mm
Warranty	2-year Naber warranty (except for wear parts); the general warranty conditions of Naber GmbH apply.	Height adjustment	5 mm
Properties	cannot be shortened	Support element version	straight
Shape	square	Number of integrated SCHUKO sockets	2
Length of the supply line (primary)	1.900 mm	Mounting height on console	2 mm
Carrying capacity	120 kg		

Dimensional sketch (PDF)

